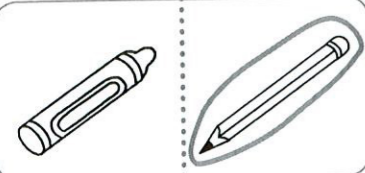
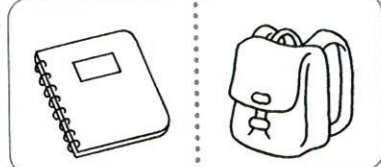
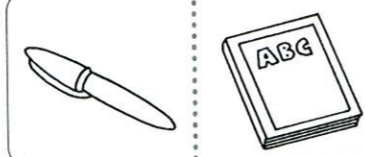
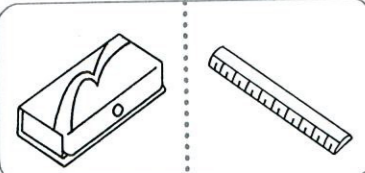
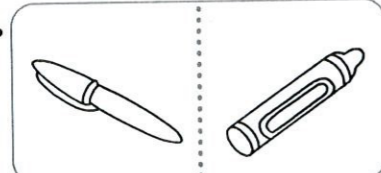
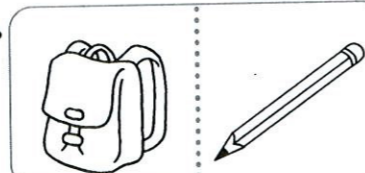


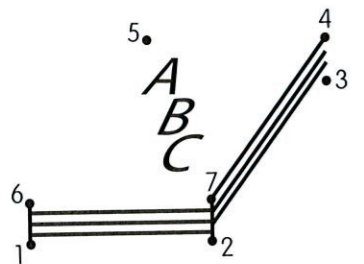
Talk about it! Vocabulary

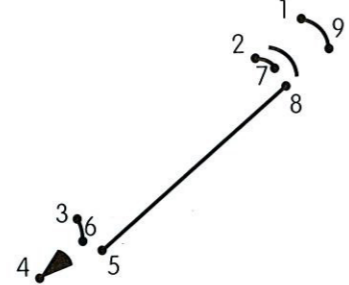
A Listen. Circle.

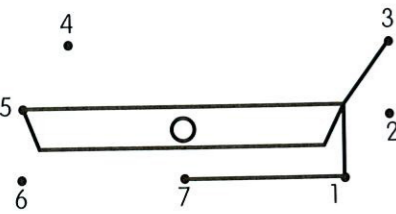
1.  2.  3. 

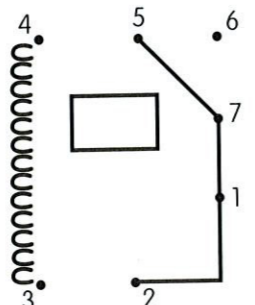
4.  5.  6. 

B Connect the dots. Say. Circle.

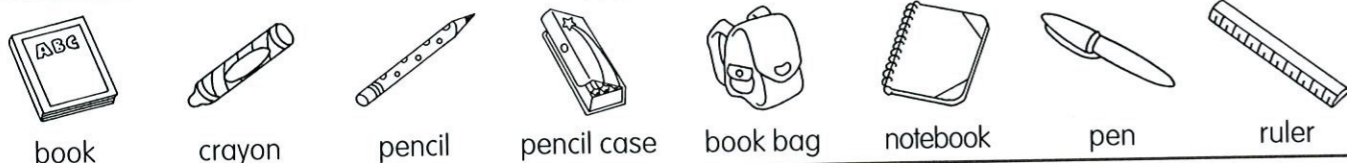
1.  **book**
 pencil

2.  pencil
 book bag

3.  crayon
 pencil case

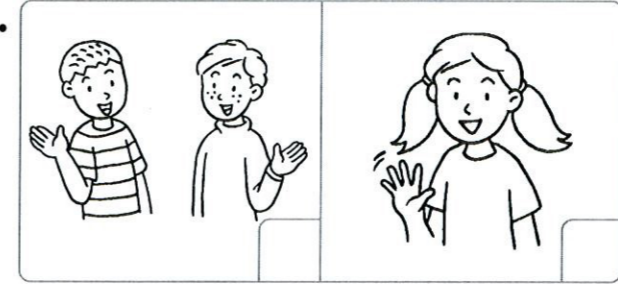
4.  crayon
 notebook

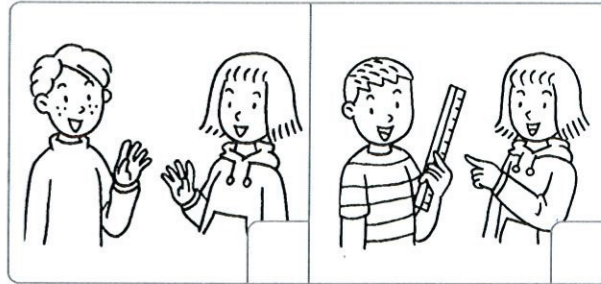
WORD BANK

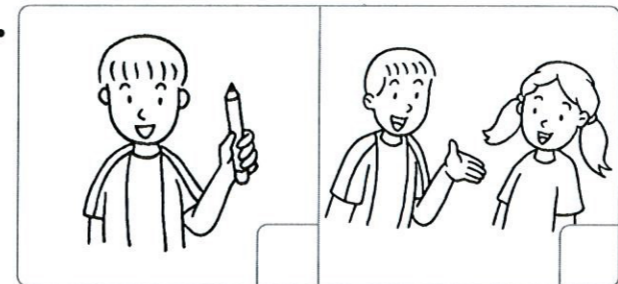



Talk about it! Dialogs

A Listen. Check.

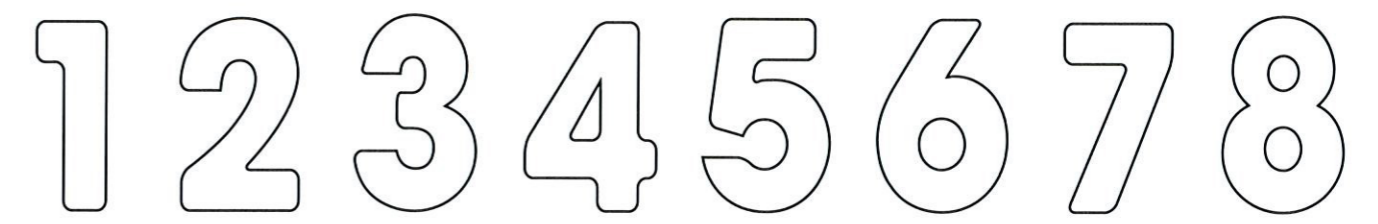
1. 

2. 

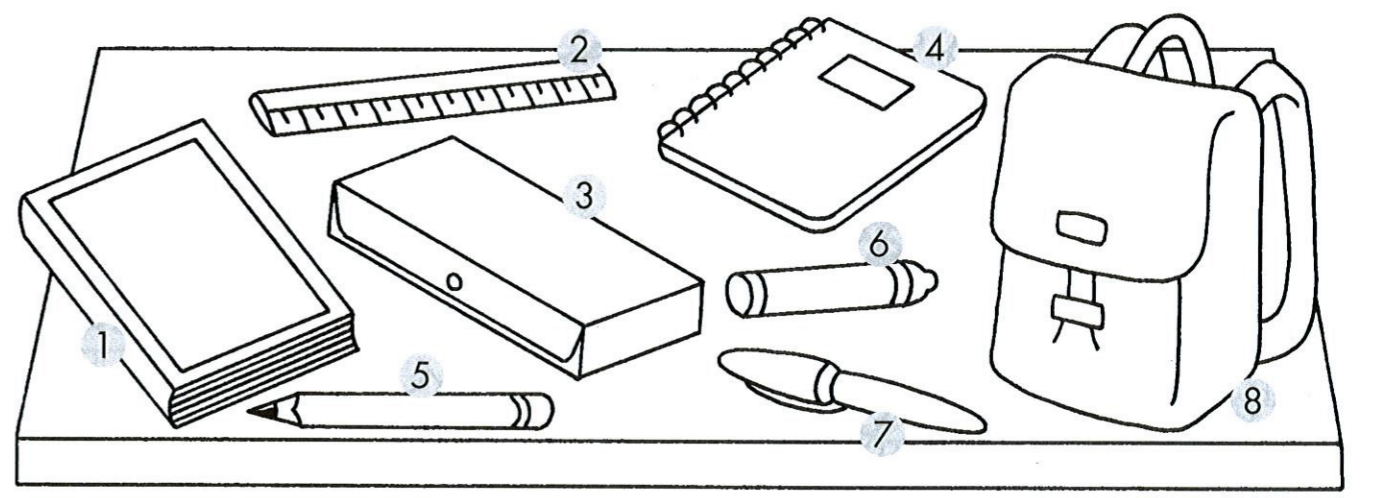
3. 

4. 

B Listen. Find. Color.



C Color. Say.





Do it!

A Listen. Number.

a b c d e f

B Listen again. Write ✓ or X.

1. 2. 3. 4. 5. 6.



Build it!

A Listen. Check.

1. 2. 3. 4. 5. 6.

B Listen. Circle.

1. It's a book bag. a b 2. It's a pen. a b 3. It's a notebook. a b 4. What's this? It's a crayon. a b 5. What's this? It's a ruler. a b 6. What's this? It's a pencil case. a b



Read it!

A 12 Listen. Circle B b or P p.

1. b **p**

2. b p

3. B P

4. b p

5. B P

6. b p

B Write b or p.

1. book

2. encil

3. ook bag

4. en

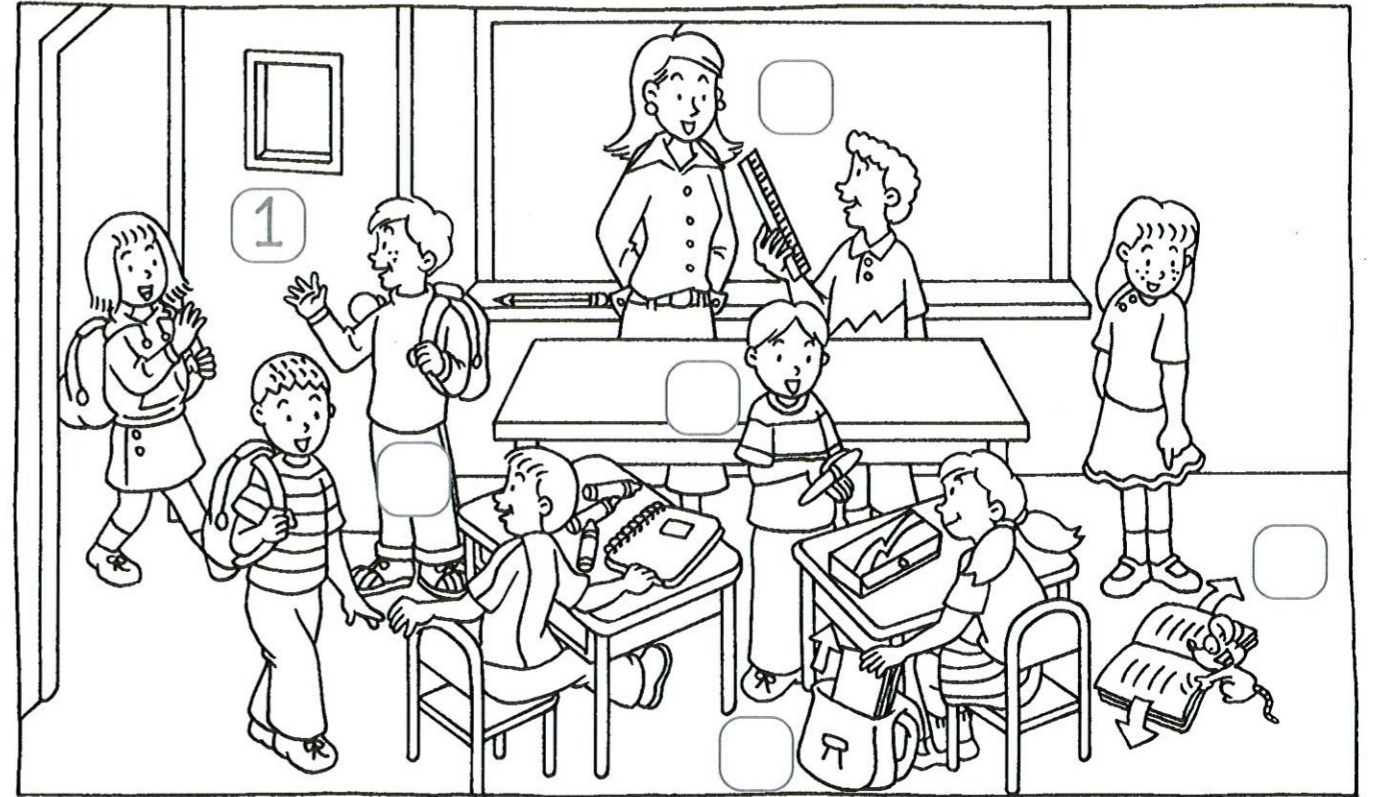
5. lack

6. encil case



Practice it!

A 13 Listen. Find. Number.



B Find. Circle.

1. notebook

2. ruler

3. book

r	p	e	n	c	i	l	u
p	e	r	o	r	l	c	p
o	m	c	r	a	n	r	e
n	b	o	u	y	o	a	n
b	o	o	l	c	t	y	o
n	o	t	e	b	o	o	k
c	k	p	r	u	l	n	t

4. pencil

5. crayon

6. pen



Finished? Good! Now go to page 70. Color number 1 blue.